

# M175

## 170-lb Capacity OPL Dryer

### Standard Features:

- 170-lb. capacity
- 50.76 cu. ft. basket volume
- 550,000 btu/hr heat input, 3,700 cfm. airflow
- Radial airflow
- Steel door with gasketless glass
- 18" Diameter vent connection
- Front serviceable
- Only occupies 19.7 sq. ft.
- Available in gas and steam heat
- Four-Point Roller Support System
- Stainless steel basket
- Reversing Basket

### Optional Features:

- Stainless steel front and cabinet
- F.S.S. (Fire Suppression System)



M175 OPL Dryer

## Why Purchase Milnor M175?

### Engineer Driven Design That is Built to Last

Our dryers showcase an engineer-driven approach to design. Bearings are permanently lubricated on the motor and drive system. There are no chains used; rather, we use V-belts and pulleys for smooth, quiet, and trouble free operation. Our dryer cabinets are electrostatically powder-painted inside and out then baked at 420-degrees fahrenheit before final assembly - ensuring the hardest surface and the longest lasting finish in the industry.

### Component Accessibility

The M175 is a single pocket dryer that offers 98% component accessibility from the front of the tumbler. This feature allows the dryer to be placed against the wall without concern for regular rear maintenance. The M175 has a large lightweight lint drawer that is accessible and easy to clean -- only requiring cleaning once a day. It's fine, stainless steel lint screen is standard.

### Rugged Steel Door with Gasketless Door Glass

Our dryer doors are one solid piece of steel with gasketless glass. This eliminates the issue of glass falling out due to wear and tear on rubber gaskets that some manufacturers use to secure their glass. The security and durability that gasketless glass provides is essential to longevity.

### Easy-to-Read, Multilingual Controls

Our dryers were one of the first computer operated dryers on the market and we continue to apply innovative technology to dryer operation. Our accessible design, easy-to-read LED screens and our user friendly multilingual interface positions Milnor as a leader in the laundry industry.

Your local Milnor independent authorized distributor



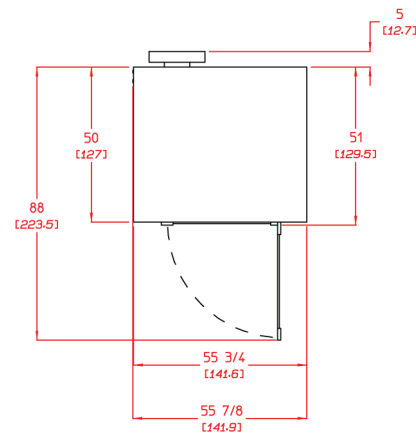
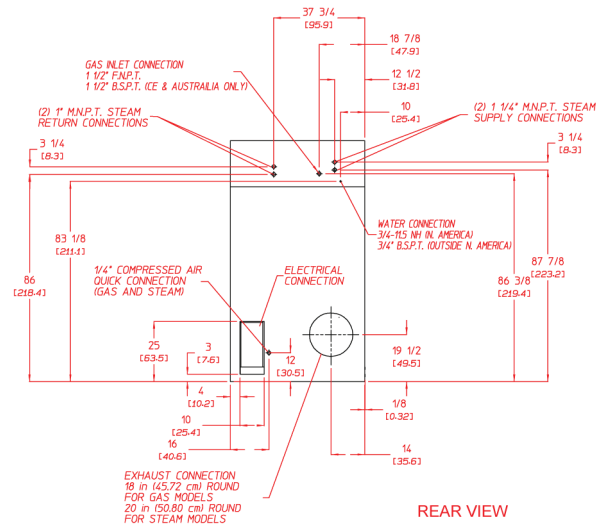
# M175

## MILNOR M175 Specifications

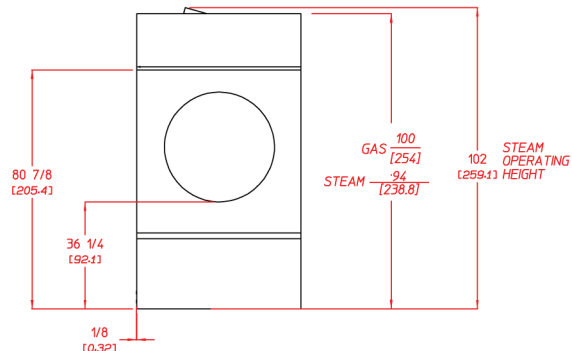
Tumbler Capacity (dry weight)	170 lbs. (77.11 kg)
Tumbler Diameter	51-1/8" (129.86 cm)
Tumbler Depth	42-3/4" (108.59 cm)
Tumbler Volume	50.76 cu ft (1,437.36 L)
Tumbler/Drive Motor	3 hp (2.24 kW)
Blower/Fan Motor	7-1/2 hp (5.59 kW)
Door Opening (Diameter)	31-3/8" (79.69 cm)
Door Sill Height	36-1/4" (92.08 cm)
F.S.S. Water Connection	North America 3/4" - 11.5 NH Outside North America 3/4" B.S.P.T.
Dryers per 20'/40' Container	3 / 7
Dryers per 48'/53' Truck	8 / 8
Width	55-7/8" (141.9 cm)
Depth	51" (129.5 cm)
Height	Gas & Electric 100" (254 cm) Steam 102" (259.1 cm)
Airflow	gas 3,700 cfm (104.77 cmm) steam 4,400 cfm (124.59 cmm)
Exhaust Connection	18" (45.72 cm)
GAS MODEL:	Voltage Available 208-575v 3ø 3,4w 50/60 Hz Approx. Net Wt. 1,848 lbs (838.24 kg) Approx. Ship Wt. 2,014 lbs (913.54 kg) Heat Input (per pocket) 550,000 btu/hr (138,598 kcal/hr) Inlet Pipe Connection 1 1/2" F.N.P.T. Compressed Air Connection 1/4" Quick Connection Compressed Air Volume 4.25 cfh (0.12 cmh)
STEAM MODEL:	Voltage Available 208-575v 3ø 3,4w 50/60 Hz Approx. Net Wt. 2,001 lbs (907.64 kg) Approx. Ship Wt. 2,168 lbs (983.39 kg) Steam Consumption (per pocket) 465 lb/hr (210.9 kg/hr) Operating Steam Pressure 125 psi max (8.62 bar) Exhaust Connection 20" (50.80 cm) Compressed Air Connection 1/4" Quick Connection Compressed Air Volume 4.25 cfh (0.12 cmh) Boiler Horsepower 14.5 Bhp Supply Connection (2) 1-1/4" M.N.P.T. Return Connection (2) 1-1" M.N.P.T.

Specifications in parentheses are metric equivalents.  
\*Dryer must be provided with clean, dry and regulated  
80 psi +/- 10 psi (5.51 bar +/- 0.69 bar) air supply.

REV 10/18/13



PLAN VIEW



FRONT VIEW

Electrical Service Specifications						
SERVICE VOLTAGE	PHASE	WIRE SERVICE	OVEN KW	APPROX AMP DRAW		CIRCUIT BREAKER
				60 Hz	50 Hz	
<b>GAS &amp; STEAM</b>						
208	3ø	3	--	36	--	50
220	3ø	3	--	36	--	50
240	3ø	3	--	34	--	50
440	3ø	3	--	18	--	25
460	3ø	3	--	18	--	25
480	3ø	3	--	18	--	25
575	3ø	3	--	13	--	20
230	3ø	3	--	--	31	40
380	3ø	4	--	--	17	25
400	3ø	4	--	--	17	25
416	3ø	4	--	--	16	20



Pellerin Milnor Corporation, PO Box 400, Kenner, LA 70063 USA,  
Phone 504.712.7656 Toll Free: 800.469.8780 Fax: 504.468.3094

[www.milnor.com](http://www.milnor.com)