

# M76ED

## 75-lb Capacity Dryer

### Standard Features:

- 75-lb. Capacity
- Residual Moisture Control (RMC)
- Single Phase Reversing
- Self-Diagnostic Microprocessor Control
- 100% Axial Airflow
- Completely Sealed Basket
- Non-Perforated Ribs and Basket
- Dual-Paned Door Glass
- Four-Point Roller Support System
- High Capacity Lint Drawer

### Optional Features:

- Stainless Steel Front, Cabinet & Basket
- F.S.S. (Fire Suppression System)

### Why Purchase Milnor EcoDry?

#### 100% Axial Airflow (standard)

EcoDry tumblers incorporate a 100% axial airflow design with a completely sealed basket. This ensures the most efficient drying available on the market today without sacrificing dry times.

#### Four-Point Roller Support System (standard)

EcoDryers are designed with a four-point roller support system, eliminating costly repairs and downtime due to trunnion failures.

#### Single Phase Reversing (standard)

Single Phase Reversing is standard on the M50ED and M76ED (optional on other units). What once was an expensive option requiring an upgrade from single phase to three phase electrical service is now available in single phase. A reversing tumbler ensures that the load doesn't "rope" or "ball up", providing a quicker, more even drying process.

#### Residual Moisture Control (standard)

EcoDry utilizes a unique Residual Moisture Control (RMC) sensing system to measure the presence of moisture in the load. The patented system senses when the load is dry, shutting the unit down to prevent over-drying. This saves time, utility costs as well as prolongs the life of dried items.

Your local Milnor independent authorized dealer.



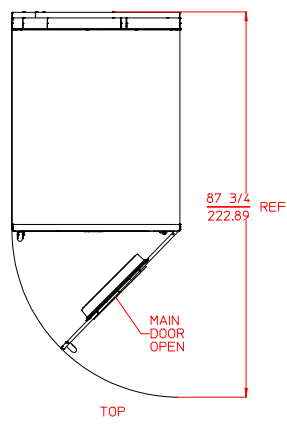
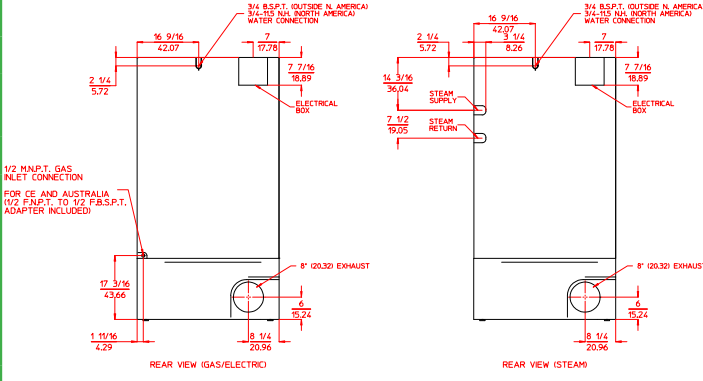
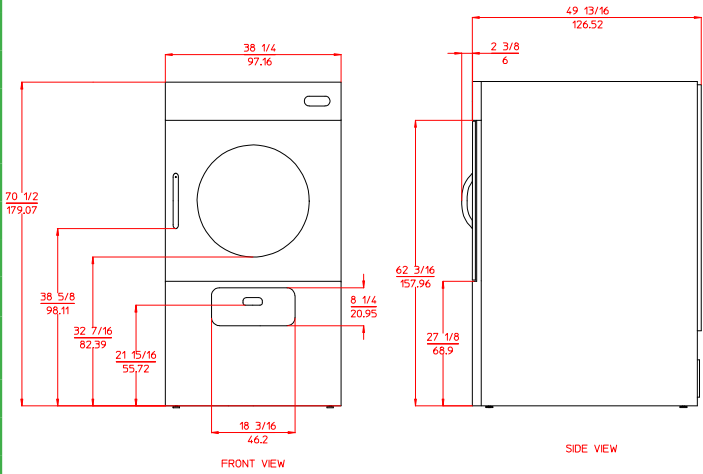
M76ED OPL Dryer



# M76ED

## M76ED Specifications

Tumbler Capacity (dry weight)	75 lbs. (34 kg)																
Tumbler Diameter	37" (939 mm)																
Tumbler Depth	35.5" (901 mm)																
Tumbler Volume	22.09 cu ft (625 L)																
Tumbler/Drive Motor 200-208V 60 Hz / All Other	0.75 hp (0.56 kW)																
Blower/Fan Motor	0.5 hp (0.37 kW)																
Door Opening (Diameter)	27.37" (695 mm)																
Door Sill Height	31.25" (793 mm)																
F.S.S. Water Connection	0.75"-11.5 NH 0.75" B.S.P.T. (Outside North America)																
Dryers per 20'/40' Container	9 / 20																
Dryers per 48'/53' Truck	25 / 27																
Width	38.25" (971 mm)																
Depth	49.81" (126 mm)																
Height	70.5" (1790 mm)																
Airflow gas/electric/steam	60 Hz 600 cfm (17.00 cmm) 50 Hz 500 cfm (14.16 cmm)																
Exhaust Connection	8" (203 mm)																
GAS MODEL:	<p>Approx. Net Wt. 745 lbs (337 kg)</p> <p>Approx. Ship Wt. 775 lbs (351 kg)</p> <p>Heat Input 60 Hz 130,000 btu/hr (32,760 kcal/hr)</p> <p>50Hz 110,000 btu/hr (27,720 kcal/hr)</p> <p>Inlet Pipe Connection 0.5" M.N.P.T.</p> <p>0.5" F.B.S.P.T. (CE and Australia Only)</p>																
ELECTRICAL MODEL:	<p>Approx. Net Wt. 745 lbs (337 kg)</p> <p>Approx. Ship Wt. 775 lbs (351 kg)</p> <p>Exhaust Connection (Diameter) 8" (203 mm)</p> <table border="1"> <thead> <tr> <th colspan="2">Oven Size</th> <th colspan="2">Oven Size</th> </tr> <tr> <th>kW</th> <th>Btu/hr (kcal/hr)</th> <th>kW</th> <th>Btu/hr (kcal/hr)</th> </tr> </thead> <tbody> <tr> <td>18.4</td> <td>62,763 (15,816)</td> <td>20.3</td> <td>69,418 (17,493)</td> </tr> <tr> <td>20.2</td> <td>68,975 (17,381)</td> <td>20.4</td> <td>69,521 (17,519)</td> </tr> </tbody> </table>	Oven Size		Oven Size		kW	Btu/hr (kcal/hr)	kW	Btu/hr (kcal/hr)	18.4	62,763 (15,816)	20.3	69,418 (17,493)	20.2	68,975 (17,381)	20.4	69,521 (17,519)
Oven Size		Oven Size															
kW	Btu/hr (kcal/hr)	kW	Btu/hr (kcal/hr)														
18.4	62,763 (15,816)	20.3	69,418 (17,493)														
20.2	68,975 (17,381)	20.4	69,521 (17,519)														
STEAM MODEL:	<p>Approx. Net Wt. 745 lbs (337 kg)</p> <p>Approx. Ship Wt. 775 lbs (351 kg)</p> <p>Steam Consumption 107 lb/hr (48 kg/hr)</p> <p>Operating Steam Pressure 150 psi max (10.34 bar)</p> <p>Exhaust Connection (Diameter) 8" (203 mm)</p> <p>Boiler Horsepower (Normal Load) 3 Bhp</p> <p>Supply Connection 0.75" F.N.P.T.</p> <p>Return Connection 0.75" M.N.P.T.</p>																



\* Specifications in parentheses are metric equivalents.

6/11/13

## Electrical Service Specifications

SERVICE VOLTAGE	PHASE	WIRE SERVICE	OVEN KW	APPROX AMP DRAW		CIRCUIT BREAKER	SERVICE VOLTAGE	PHASE	WIRE SERVICE	OVEN KW	APPROX AMP DRAW		CIRCUIT BREAKER
				60 Hz	50 Hz						60 Hz	50 Hz	
<b>ELECTRIC</b>													
200	1ø	2	20.3	114.4	--	150	220	3ø	3	18.5	60.2	--	80
208	1ø	2	22.0	118.7	--	150	220	3ø	3	18.5	--	57.8	80
220	1ø	2	18.5	95.7	93.3	120	230	3ø	3	20.3	--	60.0	80
230	1ø	2	20.3	--	97.2	130	240	3ø	3	22.0	64.2	--	80
240	1ø	2	22.0	103.0	--	130	380	3ø	4	18.5	39.6	37.2	50
208	3ø	3	22.0	73.8	--	100	400	3ø	4	20.3	--	40.2	50
							416	3ø	4	22.0	--	39.6	50

## Electrical Service Specifications

SERVICE VOLTAGE	PHASE	WIRE SERVICE	APPROX AMP DRAW		CIRCUIT BREAKER
			60 Hz	50 Hz	
<b>GAS</b>					
120	1ø	2	14.5	--	20
200	1ø	2	8.9	--	20
208	1ø	2	9.0	--	20
220	1ø	2	9.1	--	20
220	1ø	2	--	9.1	15
230	1ø	2	9.1	--	20
230	1ø	2	--	9.1	15
240	1ø	2	9.4	--	20
240	1ø	2	--	9.4	15
<b>STEAM</b>					
120	1ø	2	14.5	--	20
200	1ø	2	7.0	--	20
208	1ø	2	7.1	--	20
220	1ø	2	7.2	7.2	15
230	1ø	2	--	7.2	15
240	1ø	2	7.5	7.2	15

