

M758V

75-lb Capacity OPL Dryer

Standard Features:

- 75-lb. capacity
- 21.50 cu. ft basket volume
- 175,000 Btu/hr heat input, 1,000 cfm airflow
- Radial airflow
- Steel door with gasketless glass
- 8" diameter vent connection
- Easy to clean lint drawer
- Available in gas, steam and electric heat

Optional Features:

- Stainless steel front, cabinet & basket
- Reversing basket
- F.S.S. (Fire Suppression System)

Why Purchase Milnor M758V?

Engineer Driven Design That is Built to Last

Our dryers showcase an engineer-driven approach to design. Bearings are permanently lubricated on the motor and drive system. There are no chains used; rather, we use V-belts and pulleys for smooth, quiet, and trouble free operation. Our dryer cabinets are electrostatically powder-painted inside and out then baked at 420-degrees fahrenheit before final assembly - ensuring the hardest surface and the longest lasting finish in the industry.

Rugged Steel Door with Gasketless Door Glass

Our dryer doors are one solid piece of steel with gasketless glass. This eliminates the issue of glass falling out due to wear and tear on rubber gaskets that some manufacturers use to secure their glass. The security and durability that gasketless glass provides is essential to longevity.

Easy-to-Read, Multilingual Controls

Our dryers were one of the first computer operated dryers on the market and we continue to apply innovative technology to dryer operation. Our accessible design, easy-to-read LED screens and our user friendly multilingual interface positions Milnor as a leader in the laundry industry.

Your local Milnor independent authorized distributor

OPL



M758V OPL Dryer



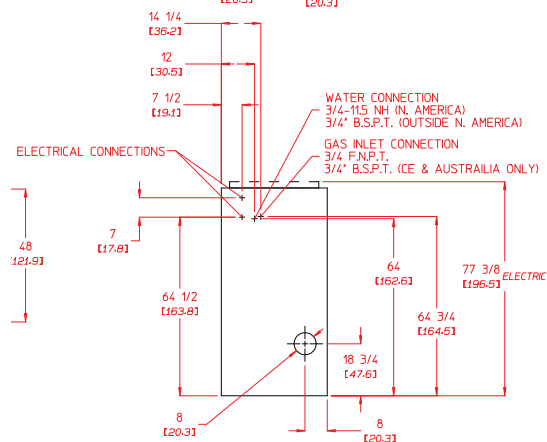
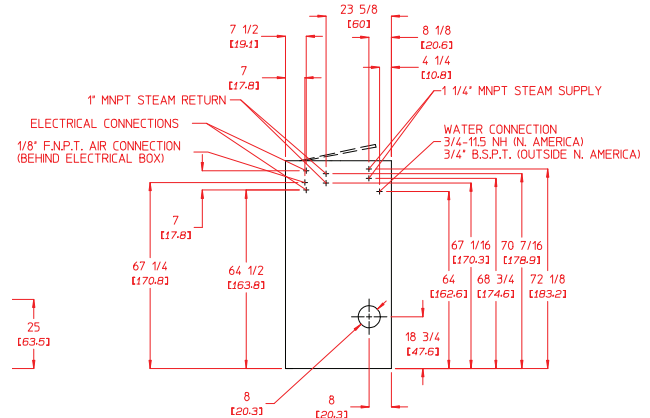
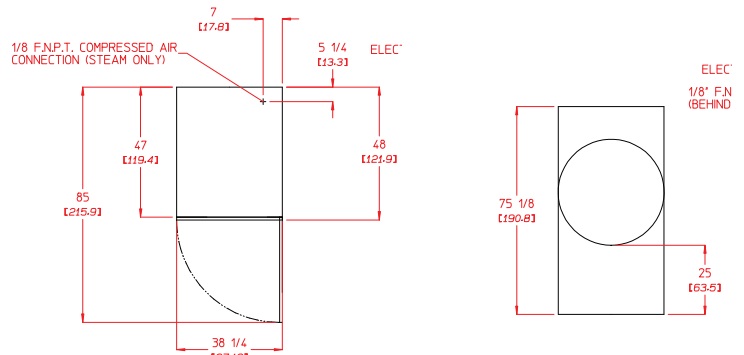
M758V

M758V Specifications

Tumbler Capacity (dry weight)	75 lbs. (34.02 kg)	
Tumbler Diameter	36-1/4" (92.08 cm)	
Tumbler Depth	36" (91.44 cm)	
Tumbler Volume	21.50 cu ft (608.81 L)	
Tumbler/Drive Motor	1 hp / 1/2 hp* (0.75 kW / 0.37 kW*)	
Blower/Fan Motor	--/1 hp* (--/0.75 kW*)	
Door Opening (Diameter)	31-3/8" (79.69 cm)	
Door Sill Height	28" (71.12 cm)	
F.S.S. Water Connection	3/4" - 11.5 NH (North America) 3/4" - B.S.P.T. (Outside North America)	
Dryers per 20'/40' Container	9 / 20	
Dryers per 48'/53' Truck	24 / 26	
Width	38-1/4" (97.16 cm)	
Depth	48" (121.9 cm)	
Height	75-1/8" (190.8 cm)	
Airflow	60 Hz 50 Hz	1,000 cfm (28.32 cmm) 833 cfm (23.60 cmm)
Exhaust Connection	8" (20.32 cm)	
GAS MODEL:	Approx. Net Wt. Approx. Ship Wt. Heat Input Inlet Pipe Connection	721 lbs (327.04 kg) 773 lbs (350.63 kg) 175,000 btu/hr (44,099 kcal/hr) 3/4" F.N.P.T. 3/4" F.N.P.T. (CER and Australia Only)
ELECTRIC MODEL:	Approx. Net Wt. Approx. Ship Wt. Exhaust Connection (Diameter)	721 lbs (327.04 kg) 773 lbs (350.63 kg) 8" (20.32 cm)
Oven Size		
kW Btu/hr (kcal/hr)		
30 102,400 (25,800)		
STEAM MODEL:	Approx. Net Wt. Approx. Ship Wt. Steam Consumption Operating Steam Pressure Boiler Horsepower (Normal Load) Compressed Air Volume Supply Connection Return Connection	816 lbs (370.13 kg) 868 lbs (393.72 kg) 275 lb/hr (124.7 kg/hr) 125 psi max (8.62 bar) 8" (20.32 cm) 7.2 Bhp 1-1/4" M.N.P.T. (2) 1" M.N.P.T.

Specifications in parentheses are metric equivalents.
* Reversing Dryers use 3-phase (3ø) motors

REV 10/18/13



Electrical Service Specifications					
SERVICE VOLTAGE	PHASE	WIRE SERVICE	APPROX AMP DRAW		CIRCUIT BREAKER
			60 Hz	50 Hz	
GAS & STEAM					
120	1ø	2	13.0	--	20
208	1ø	2	7.6	--	15
220	1ø	2	7.3	8.6	15
230	1ø	2	--	8.0	15
240	1ø	2	7.0	8.0	15
GAS & STEAM					
208	3ø	3	4.7	--	15
220	3ø	3	4.8	4.8	15
230	3ø	3	--	4.7	15
240	3ø	3	4.9	5.4	15
380	3ø	4*	2.9	3.1	15
400	3ø	4*	--	3.2	15
416	3ø	4*	--	3.1	15
440	3ø	4*	2.6	--	15
460	3ø	3	2.8	--	15
480	3ø	3	2.8	--	15

Electrical Service Specifications					
SERVICE VOLTAGE	PHASE	WIRE SERVICE	APPROX AMP DRAW		CIRCUIT BREAKER
			60 Hz	50 Hz	
30 kW (Nominal) Electric					
Single Phase Heat Single Phase Motor					
208	1ø	2	152	--	200
220	1ø	2	125	127	175
230	1ø	2	123	130	175
240	1ø	2	132	133	175
Three Phase Heat Single Phase Motor					
208	3ø	3	91	--	125
220	3ø	3	86	77	125
230	3ø	3	71	78	100
240	3ø	3	79	80	100
380	3ø	4*	--	48	70
400	3ø	4*	--	48	70
416	3ø	4*	49	50	70
Three Phase Heat Three Phase Motor					
208	3ø	3	88	--	125
220	3ø	3	73	73	100
230	3ø	3	--	75	100
240	3ø	3	77	78	100
380	3ø	4/3	42	49	70
400	3ø	4/3	--	44	60
416	3ø	4/3	--	45	60
440	3ø	3	37	--	50
460	3ø	3	38	--	50
480	3ø	3	39	--	50

Electrical Service Specifications					
SERVICE VOLTAGE	PHASE	WIRE SERVICE	APPROX AMP DRAW		CIRCUIT BREAKER
			60 Hz	50 Hz	
24 kW (Nominal) Electric					
Single Phase Heat Single Phase Motor					
208	1ø	2	123	--	150
220	1ø	2	98	100	125
230	1ø	2	97	104	150
240	1ø	2	107	108	150
Three Phase Heat Single Phase Motor					
208	3ø	3	74	--	100
220	3ø	3	60	61	80
230	3ø	3	56	63	80
240	3ø	3	65	66	90
380	3ø	4*	--	39	50
400	3ø	4*	--	40	50
416	3ø	4*	--	41	60
Three Phase Heat Three Phase Motor					
208	3ø	3	71	--	90
220	3ø	3	57	57	80
230	3ø	3	--	60	80
240	3ø	3	63	63	80
380	3ø	4/3	33	33	50
400	3ø	4/3	--	35	50
416	3ø	4/3	--	36	50
440	3ø	3	29	--	40
460	3ø	3	30	--	40
480	3ø	3	32	--	40



Pellerin Milnor Corporation, PO Box 400, Kenner, LA 70063 USA,
Phone 504.712.7656 Toll Free: 800.469.8780 Fax: 504.468.3094

www.milnor.com