

M3535ED

35-lb x 2 Capacity Stack Dryer

Standard Features:

- 35-lb. x 2 capacity
- Residual Moisture Control
- Self-Diagnostic Microprocessor Control (RMC)
- 100% Axial Airflow
- Completely Sealed Basket
- Non-Perforated Ribs and Basket
- Dual-Paned Door Glass
- Four-Point Roller Support System

Optional Features:

- Stainless Steel Front, Cabinet & Basket
- Single Phase Reversing
- F.S.S. (Fire Suppression System)

Why Purchase Milnor EcoDry?

100% Axial Airflow (standard)

EcoDry tumblers incorporate a 100% axial airflow design with a completely sealed basket. This ensures the most efficient drying available on the market today without sacrificing dry times.

Four-Point Roller Support System (standard)

EcoDryers are designed with a four-point roller support system, eliminating costly repairs and downtime due to trunnion failures.

Residual Moisture Control (standard)

EcoDry utilizes a unique Residual Moisture Control (RMC) sensing system to measure the presence of moisture in the load. The patented system senses when the load is dry, shutting the unit down to prevent over-drying. This saves time, utility costs as well as prolongs the life of dried items.

Available Option: Single Phase Reversing

Single Phase Reversing is an optional feature on the M3535ED. What once was an expensive option requiring an upgrade from single phase to three phase electrical service is now available in single phase. A reversing tumbler ensures that the load doesn't "rope" or "ball up", providing a quicker, more even drying process.

Your local Milnor independent authorized dealer.



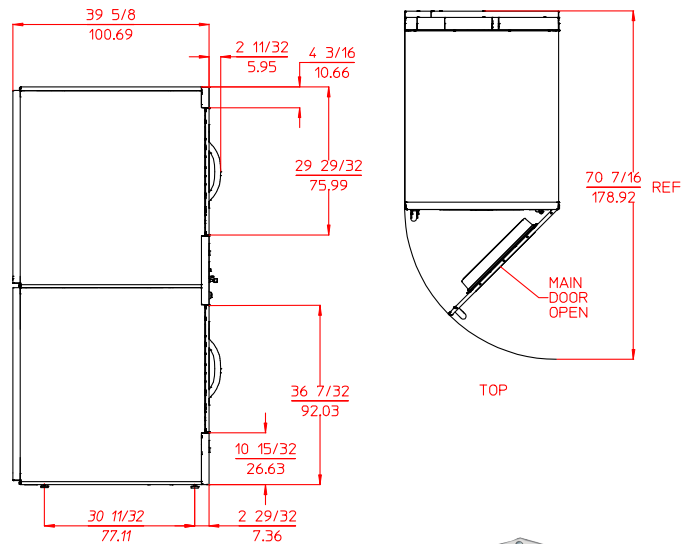
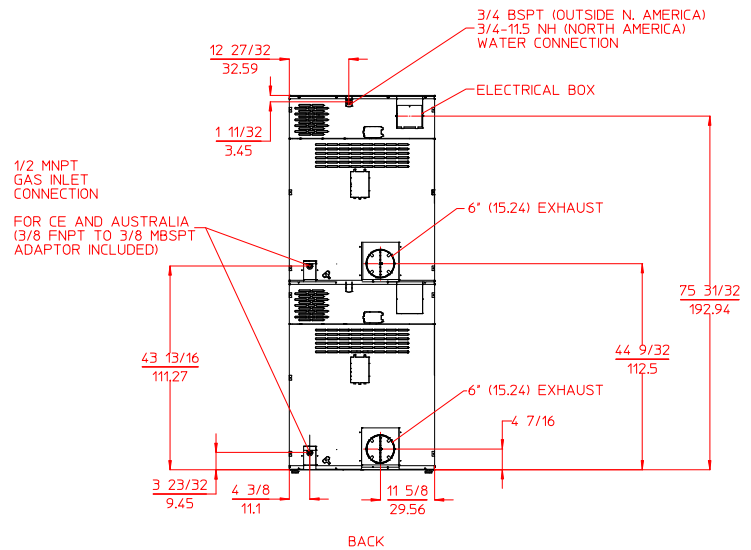
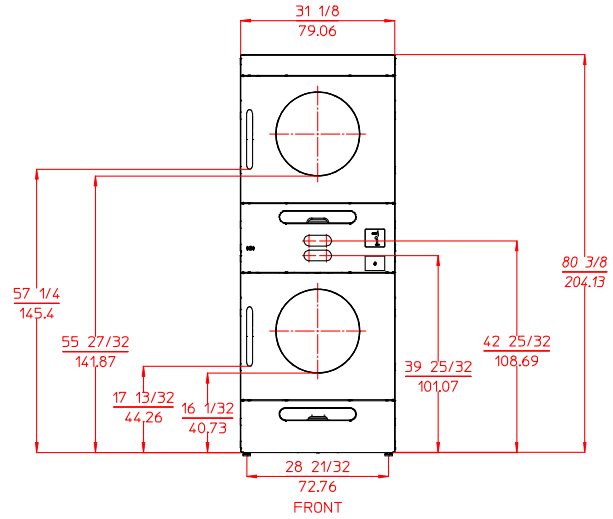
M3535ED OPL Stack Dryer



M3535ED

M3535ED Specifications

Tumbler Capacity (dry weight per pocket)	35 lbs. (15 kg) x 2																								
Tumbler Diameter	30" (762 mm)																								
Tumbler Depth	30" (762 mm)																								
Tumbler Volume per pocket	12.27 cu ft (347 L)																								
Tumbler/Drive Motor per pocket	0.25 hp (0.19 kW)																								
Blower/Fan Motor per pocket	0.5 hp (0.37 kW)																								
Door Opening (Diameter)	19.37" (492 mm)																								
Door Sill Height top pocket / bottom pocket	54.68" (1389 mm) / 14.87" (377 mm)																								
F.S.S. Water Connection	North America 0.75"-11.5 NH Outside North America 0.75" B.S.P.T.																								
Dryers per 20'/40' Container	14 / 28																								
Dryers per 53' Truck	36																								
Width	31.12" (790 mm)																								
Depth	39.62" (1006 mm)																								
Height	80.37" (2041 mm)																								
Airflow per pocket	60Hz 380 cfm (10.76 cmm) 50Hz 320 cfm (9.06 cmm)																								
Exhaust Connection	6" (152 mm)																								
GAS MODEL:	Approx. Net Wt. 600 lbs (272 kg) Approx. Ship Wt. 630 lbs (285 kg) Heat Input 64,000 btu/hr (16,128 kcal/hr) Inlet Pipe Connection per pocket (CE and Australia Only) 0.5" M.N.P.T. 0.37" M.B.S.P.T.																								
ELECTRICAL MODEL:	Approx. Net Wt. 600 lbs (272 kg) Approx. Ship Wt. 630 lbs (285 kg)																								
<table border="1"> <thead> <tr> <th colspan="2">Oven Size per pocket</th> <th colspan="2">Oven Size per pocket</th> </tr> <tr> <th>kW</th> <th>Btu/hr (kcal/hr)</th> <th>kW</th> <th>Btu/hr (kcal/hr)</th> </tr> </thead> <tbody> <tr> <td>7.9</td> <td>26,962 (6,794)</td> <td>12.4</td> <td>42,320 (10,665)</td> </tr> <tr> <td>8.3</td> <td>28,327 (7,138)</td> <td>12.5</td> <td>42,661 (10,751)</td> </tr> <tr> <td>9.0</td> <td>30,716 (7,740)</td> <td>13.5</td> <td>46,074 (11,611)</td> </tr> <tr> <td>11.3</td> <td>38,566 (9,719)</td> <td></td> <td></td> </tr> </tbody> </table>		Oven Size per pocket		Oven Size per pocket		kW	Btu/hr (kcal/hr)	kW	Btu/hr (kcal/hr)	7.9	26,962 (6,794)	12.4	42,320 (10,665)	8.3	28,327 (7,138)	12.5	42,661 (10,751)	9.0	30,716 (7,740)	13.5	46,074 (11,611)	11.3	38,566 (9,719)		
Oven Size per pocket		Oven Size per pocket																							
kW	Btu/hr (kcal/hr)	kW	Btu/hr (kcal/hr)																						
7.9	26,962 (6,794)	12.4	42,320 (10,665)																						
8.3	28,327 (7,138)	12.5	42,661 (10,751)																						
9.0	30,716 (7,740)	13.5	46,074 (11,611)																						
11.3	38,566 (9,719)																								



* Not available in electric or steam models.

REV 6/11/13

** Specifications in parentheses are metric equivalents.

Electrical Service Specifications					
SERVICE VOLTAGE	PHASE	WIRE SERVICE	APPROX AMP DRAW		CIRCUIT BREAKER
			60 Hz	50 Hz	
GAS					
120	1ø	2	10.3	--	15
200	1ø	2	8.7	8.8	15
208	1ø	2	8.4	--	15
220	1ø	2	8.1	8.1	15
230	1ø	2	--	7.4	15
240	1ø	2	7.7	7.0	15

Electrical Service Specifications						
SERVICE VOLTAGE	PHASE	WIRE SERVICE	OVEN KW	APPROX AMP DRAW		CIRCUIT BREAKER
				60 Hz	50 Hz	
ELECTRIC						
200	1ø	2	12.5	68.4	67.7	90
208	1ø	2	7.9	43.8	--	60
208	1ø	2	13.5	70.7	--	90
230	1ø	2	8.3	--	41.3	60
230	1ø	2	12.4	--	59.1	80
240	1ø	2	9.0	42.7	--	60
240	1ø	2	13.5	61.5	--	80
208	3ø	3	13.5	43.3	--	60
220	3ø	3	11.3	35.3	--	50
230	3ø	3	12.4	--	36.5	50
240	3ø	3	13.5	37.7	--	50
380	3ø	4	11.3	22.8	22.6	40
400	3ø	4	12.4	--	23.1	40
416	3ø	4	13.5	--	23.7	40

