

# M130

## 120-lb Capacity OPL Dryer

### Standard Features:

- 120-lb. capacity
- 38.10 cu. ft. volume
- 375,000 Btu/hr heat input and 2,150 cfm
- Radial airflow
- Steel door with gasketless glass
- 14" Diameter vent connection
- Front serviceable
- Available in gas, steam and electric heat
- Reversing Basket

### Optional Features:

- Stainless steel front, cabinet & basket
- F.S.S. (Fire Suppression System)

OPL



M130 OPL Dryer

### Why Purchase Milnor M130?

#### Engineer Driven Design That is Built to Last

Our dryers showcase an engineer-driven approach to design. Bearings are permanently lubricated on the motor and drive system. There are no chains used; rather, we use V-belts and pulleys for smooth, quiet, and trouble free operation. Our dryer cabinets are electrostatically powder-painted inside and out then baked at 420-degrees fahrenheit before final assembly - ensuring the hardest surface and the longest lasting finish in the industry.

#### Component Accessibility

The M130 is a single pocket dryer that offers 98% component accessibility from the front of the tumbler. This feature allows the dryer to be placed against the wall without concern for regular rear maintenance. The M130 has a large lightweight lint drawer that is accessible and easy to clean -- only requiring cleaning once a day. It's fine, stainless steel lint screen is standard.

#### Rugged Steel Door with Gasketless Door Glass

Our dryer doors are one solid piece of steel with gasketless glass. This eliminates the issue of glass falling out due to wear and tear on rubber gaskets that some manufacturers use to secure their glass. The security and durability that gasketless glass provides is essential to longevity.

#### Easy-to-Read, Multilingual Controls

Our dryers were one of the first computer operated dryers on the market and we continue to apply innovative technology to dryer operation. Our accessible design, easy-to-read LED screens and our user friendly multilingual interface positions Milnor as a leader in the laundry industry.

Your local Milnor independent authorized distributor



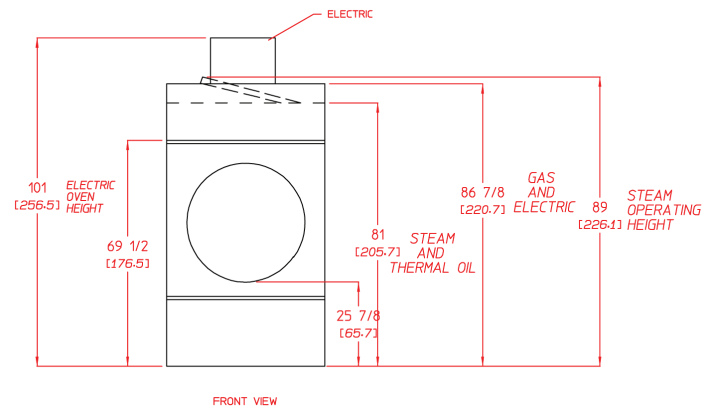
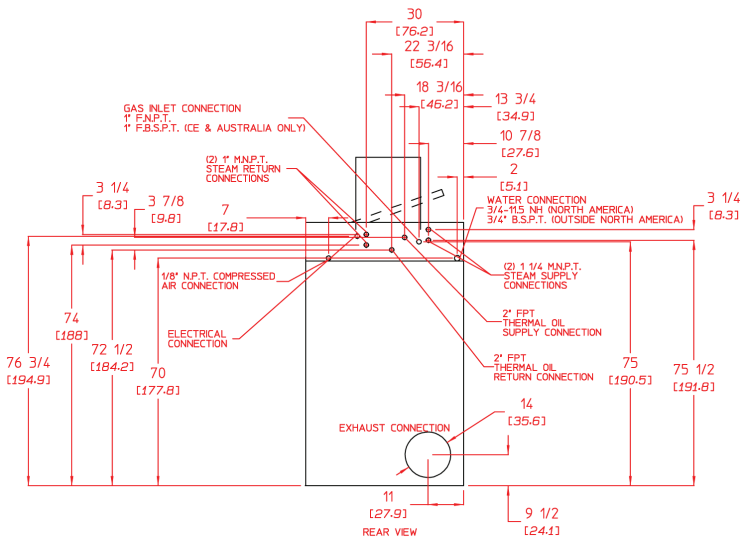
# M130

## M130 Specifications

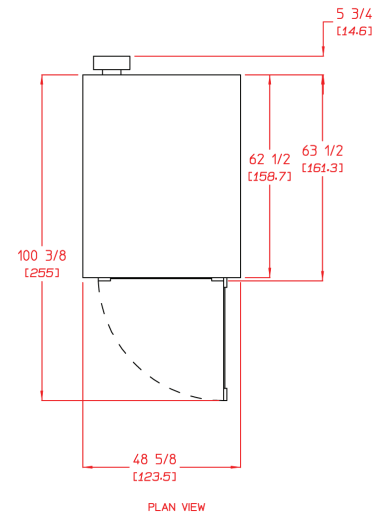
Tumbler Capacity (dry weight)	120 lbs. (54.43 kg)
Tumbler Diameter	44.63" (113.35 cm)
Tumbler Depth	42-1/8" (107 cm)
Tumbler Volume	38.10 cu ft (1078.872 L)
Tumbler/Drive Motor	3/4 hp (0.56 kW)
Blower/Fan Motor	3 hp (2.24 kW)
Door Opening (Diameter)	31-3/8" (79.69 cm)
Door Sill Height	25-7/8" (65.72 cm)
F.S.S. Water Connection	3/4"-11.5 NH (North America) 3/4" B.S.P.T. (Outside North America)
Dryers per 20'/40' Container	3 / 7
Dryers per 48'/53' Truck	9 / 10
Width	48-5/8" (123.5 cm)
Depth	63-1/2" (161.3 cm)
Height (gas/steam/electric)	86-7/8" (220.7 cm) / 101" (256.5 cm) 89" (226.1 cm)
Airflow	60 Hz 2,150 cfm (60.88 cmm) 50 Hz 1,792 cfm (50.73 cmm)
Exhaust Connection (Diameter)	14" (35.56 cm)
<b>GAS MODEL:</b>	
Voltage Available	208-575v 3ø 3,4w 50/60 Hz
Approx. Net Wt.	1,260 lbs (571.53 kg)
Approx. Ship Wt.	1,400 lbs (635.03 kg)
Heat Input	375,000 btu/hr (94,498 kcal/hr)
Inlet Pipe Connection	1" F.N.P.T.
<b>ELECTRIC MODEL:</b>	
Voltage Available	208-600v 3ø 3,4w 50/60 Hz
Approx. Net Wt.	1,260 lbs (571.53 kg)
Approx. Ship Wt.	1,400 lbs (635.03 kg)
<b>STEAM MODEL:</b>	
Voltage Available	208-575v 3ø 3,4w 50/60 Hz
Approx. Net Wt.	1,421 lbs (644.55 kg)
Approx. Ship Wt.	1,561 lbs (708.06 kg)
Steam Consumption	450 lbs/hr (204.12 kg/hr)
Operating Steam Pressure	125 psi max. (8.62 bar)
Compressed Air Connection	1/8" N.P.T.
Compressed Air Volume	4.25 cfh / 0.12 cmh
Boiler Horsepower	13 Bhp
Supply Connection	(2) 1-1/4" M.N.P.T.
Return Connection	(2) 1" M.N.P.T.

Specifications in parentheses are metric equivalents.  
\*Dryer must be provided with clean, dry and regulated  
80 psi +/- 10 psi (5.51 bar +/- 0.69 bar) air supply.

REV 10/18/13



FRONT VIEW



PLAN VIEW

### Electrical Service Specifications

SERVICE VOLTAGE	PHASE	WIRE SERVICE	APPROX AMP DRAW		CIRCUIT BREAKER
			60 Hz	50 Hz	
<b>GAS &amp; STEAM</b>					
208	3ø	3	215	--	300
220	3ø	3	173	--	225
240	3ø	3	188	--	250
380	3ø	3	101	--	150
460	3ø	3	91	--	125
480	3ø	3	95	--	125
575	3ø	3	79	--	100
230	3ø	3	--	184	250
380	3ø	4*	--	101	150
400	3ø	4*	--	104	150
416	3ø	4*	--	109	150

### Electrical Service Specifications

SERVICE VOLTAGE	PHASE	WIRE SERVICE	APPROX AMP DRAW		CIRCUIT BREAKER
			60 Hz	50 Hz	
<b>GAS &amp; STEAM</b>					
208	3ø	3	15	--	20
220	3ø	3	14	--	20
240	3ø	3	15	--	20
380	3ø	3	9	--	15
440	3ø	3	9	--	15
460	3ø	3	8	--	15
480	3ø	3	8	--	15
575	3ø	3	7	--	15
230	3ø	3	--	18	25
240	3ø	3	--	18	25
380	3ø	4*	--	9	15
400	3ø	4*	--	9	15
416	3ø	4*	--	10	15
440	3ø	3	--	9	15

