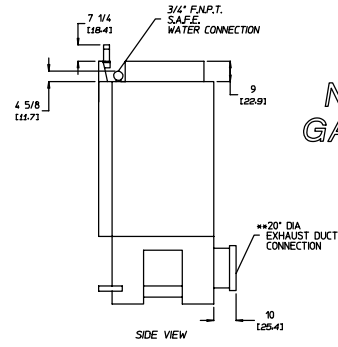


# AD-200 Models

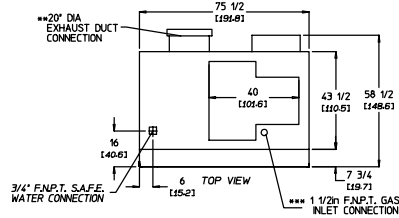
Maximum Capacity (Dry Weight)	200 lb	90.9 kg
Basket Diameter	62-1/2"	158.75 cm
Basket Depth	42"	106.7 cm
Basket Volume	74.5 cu ft	2.11 cu m
Basket Motor	3 hp	2.24 kW
Blower Motor (Gas/Steam)	7-1/2/ 15 hp	5.6 / 11.2 kW
Door Opening *	36-3/4" w x 43" h	93.3 cm x 109.2 cm
Door Sill Height, Level	36 1/2"	92.71 cm
Compressed Air Volume (Tilt / Non-Tilt)	7.0 cfm / 4.25 cfm	.20 cmh / .12 cmh
Compressed Air Connection (Tilt / Non-Tilt)	3/8" F.N.P.T. / 1/8" F.N.P.T.	
S.A.F.E. Water Connection**	3/4" F.N.P.T.	
Gas***	Voltage Available	208-575v / 3ø / 3,4w / 50/60Hz
	Heat Input	650,000 Btu/hr
	Approximate Shipping Weight	3,370 lb
	Airflow	5,300 cfm
	Inlet Pipe Connector***	1-1/2" F.N.P.T.
Steam***	Voltage Available	208-575v / 3ø / 3,4w / 50/60Hz
	Approximate Shipping Weight	3,625 lb
	Airflow	6,500 cfm
	Supply Connection***†(Tilt / Non-Tilt)	1-1/2" M.N.P.T / 2" M.N.P.T.
	Return Connection***†(Tilt / Non-Tilt)	3/4" M.N.P.T. / 2" M.N.P.T.
Steam Consumption		Bhp Normal Load
890 lb/hr	404.5 kg/hr	27
		Operating Steam Pressure
		125 psi max
		8.6 bar

Shaded areas are stated in metric equivalents.

- † Gas dryer with side exhaust use 15 hp / 11.2 kW blower motor, electrical service will have to be upgraded to steam configuration
- \* Height is 43" maximum at the center of the door.
- \*\* Dryer must be provided with clean, dry, regulated 80 psi ± 10 psi (5.5 bar ± .69 bar) air supply.
- \*\*\* Size of piping to dryer varies with installation conditions. Contact factory for assistance.



AD-200\*  
NON-TILT  
GAS MODEL

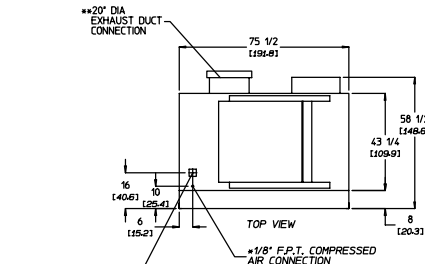
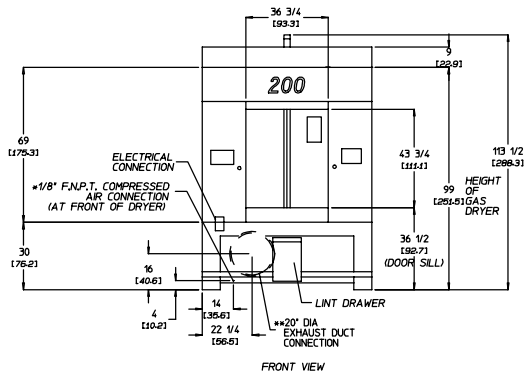


Tilt Gas / Steam Electrical Service Specifications (Per Dryer)†						
<b>IMPORTANT</b> 208 VAC and 230/240 VAC are not the same. When ordering, specify exact voltage.						
<b>NOTES:</b> A. Circuit breakers are thermal/magnetic (industrial) motor curve type <b>ONLY</b> . For others, calculate/verify correct breaker size according to appliance amp draw rating and type of breaker to be used.						
B. Circuit breakers for 3ø dryers <b>must</b> be 3-pole type.						
Service Voltage	Phase	Wire Service	Approx. Amp Draw		Circuit Breaker Amps	
			Gas <sup>1</sup>	Steam	Gas <sup>1</sup>	Steam
208 (60 Hz)	3	3/4	35.6	54.7	60	90
230 (50 Hz)	3	3	36.2	54.0	60	80
230 (60 Hz)	3	3	33.7	50.5	60	80
380 (50 Hz)	3	3/4	20.9	31.6	30	50
400 (50 Hz)	3	3/4	19.9	29.7	30	50
416 (50 Hz)	3	3/4	19.8	29.1	30	50
460/480 (60 Hz)	3	3	17.9	26.4	30	45
575 (60 Hz)	3	3	14.4	21.5	20	30

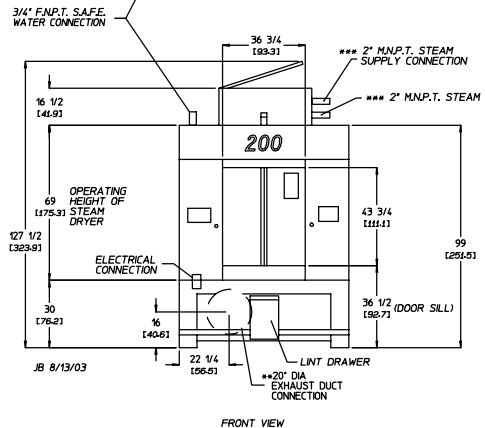
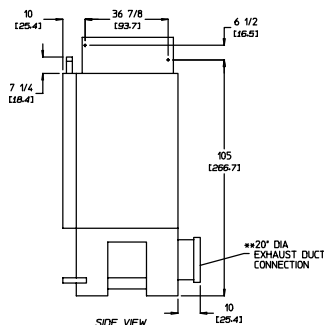
Non-Tilt Gas / Steam Electrical Service Specifications (Per Dryer)†						
<b>IMPORTANT</b> 208 VAC and 230/240 VAC are not the same. When ordering, specify exact voltage.						
<b>NOTES:</b> A. Circuit breakers are thermal/magnetic (industrial) motor curve type <b>ONLY</b> . For others, calculate/verify correct breaker size according to appliance amp draw rating and type of breaker to be used.						
B. Circuit breakers for 3ø dryers <b>must</b> be 3-pole type.						
Service Voltage	Phase	Wire Service	Approx. Amp Draw		Circuit Breaker Amps	
			Gas <sup>1</sup>	Steam	Gas <sup>1</sup>	Steam
208 (60 Hz)	3	3/4	36.2	55.2	60	80
230 (50Hz)	3	3	34.2	52.2	60	80
230 (60 Hz)	3	3	34.7	51.0	60	80
380 (50 Hz)	3	3/4	20.2	31.1	30	50
400 (50 Hz)	3	3/4	20.0	29.8	30	50
416 (50 Hz)	3	3/4	19.9	29.3	30	50
460/480 (60 Hz)	3	3	18.1	26.6	30	45
575 (60 Hz)	3	3	14.9	21.8	20	30

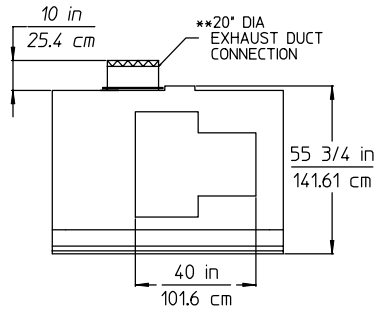
† Contact factory for information not listed

- 1 Gas dryer with side exhaust use 15 hp/11.2 kW blower motor, electrical service will have to be upgraded to steam configuration

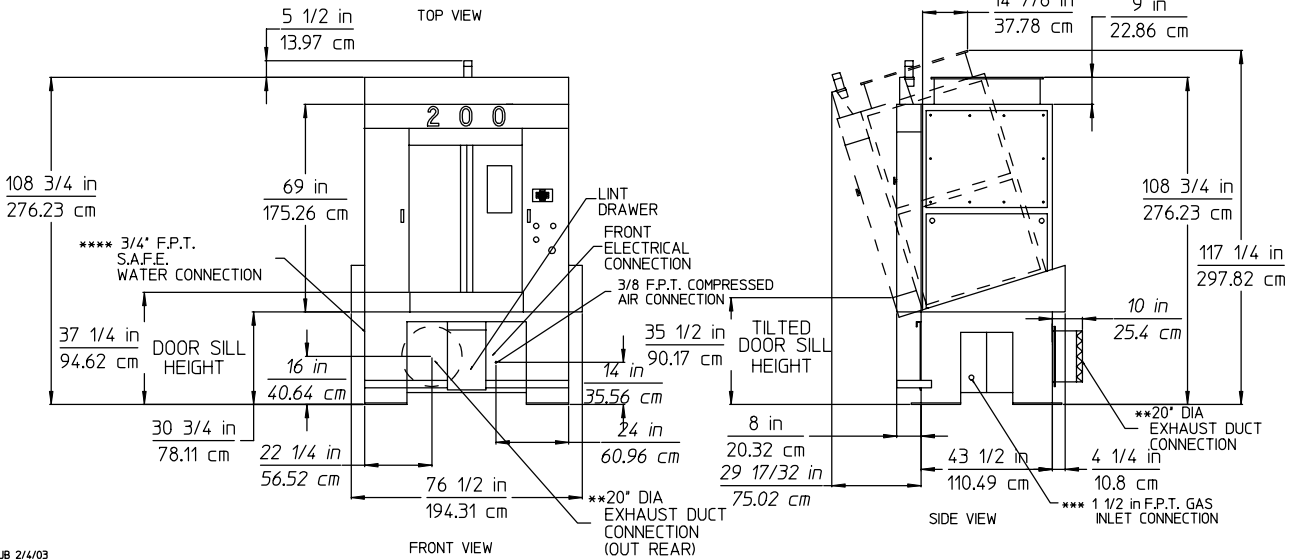


AD-200\*  
NON-TILT  
STEAM MODEL

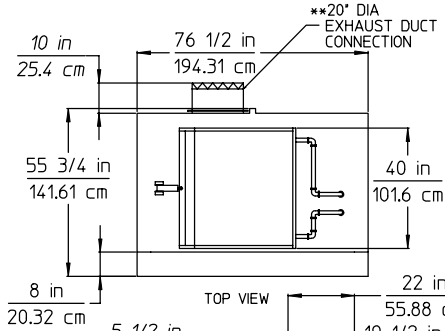




**ADG-200 TILTING\*  
1-DOOR/FORWARD TILT  
GAS MODEL**

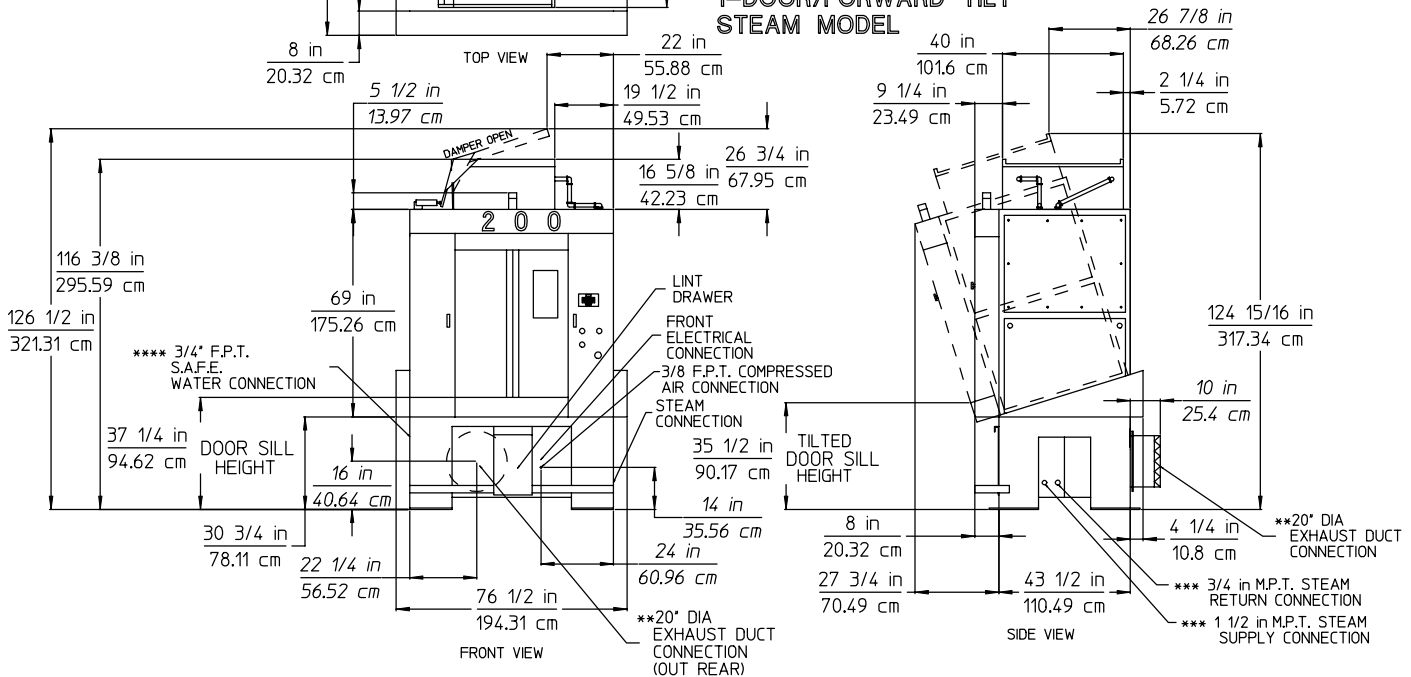


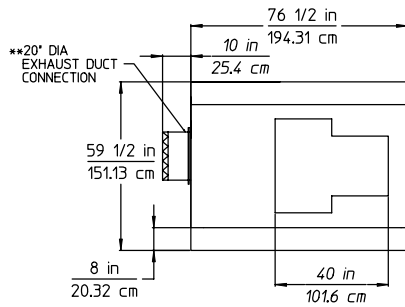
B 2/4/03



- \* BOTH GAS AND STEAM UNITS MUST BE SUPPLIED WITH CLEAN, DRY, REGULATED AIR AT 80 PSI ± 10 PSI (5.52 BAR ± .69 BAR).
- \*\* DUCTWORK SIZE VARIES WITH INSTALLATION CONDITIONS. EXHAUST STATIC PRESSURE SHOULD NOT EXCEED 0.3" WATER COLUMN (0.74 mb).
- \*\*\* SIZE OF PIPING TO DRYER VARIES WITH INSTALLATION CONDITIONS. CONTACT FACTORY FOR ASSISTANCE.

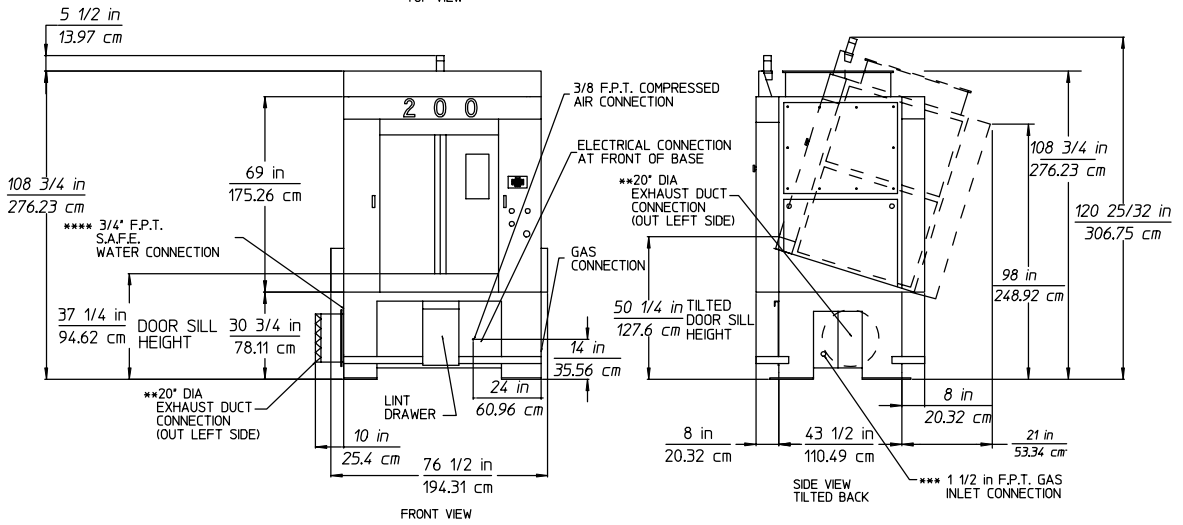
**ADS-200 TILTING\*  
1-DOOR/FORWARD TILT  
STEAM MODEL**





TOP VIEW

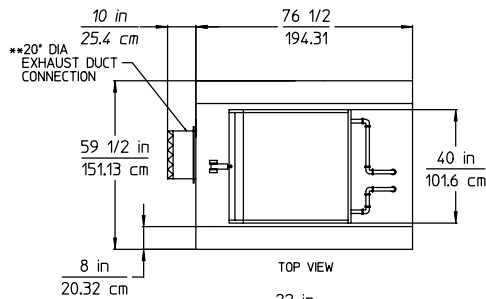
**ADG-200 TILTING\*  
2-DOOR/REAR TILT  
GAS MODEL**



FRONT VIEW

SIDE VIEW  
TILTED BACK

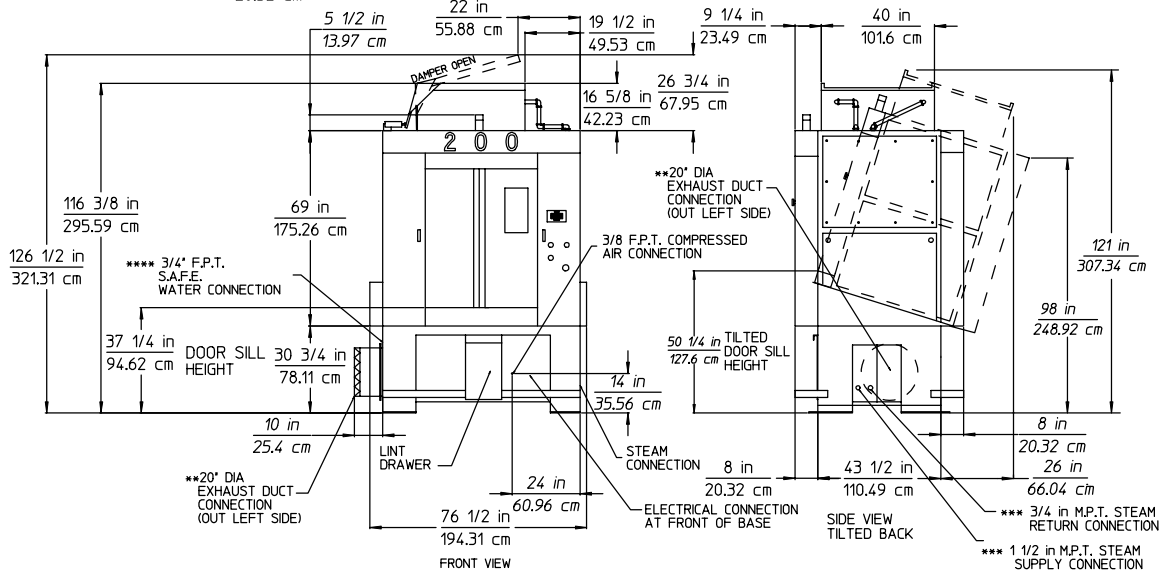
JB 2/4/03



TOP VIEW

- \* BOTH GAS AND STEAM UNITS MUST BE SUPPLIED WITH CLEAN, DRY, REGULATED AIR AT 80 PSI ± 10 PSI (5.52 BAR ± 69 BAR).
- \*\* DUCTWORK SIZE VARIES WITH INSTALLATION CONDITIONS, EXHAUST STATIC PRESSURE SHOULD NOT EXCEED 0.3" WATER COLUMN (0.74 mb).
- \*\*\* SIZE OF PIPING TO DRYER VARIES WITH INSTALLATION CONDITIONS. CONTACT FACTORY FOR ASSISTANCE.

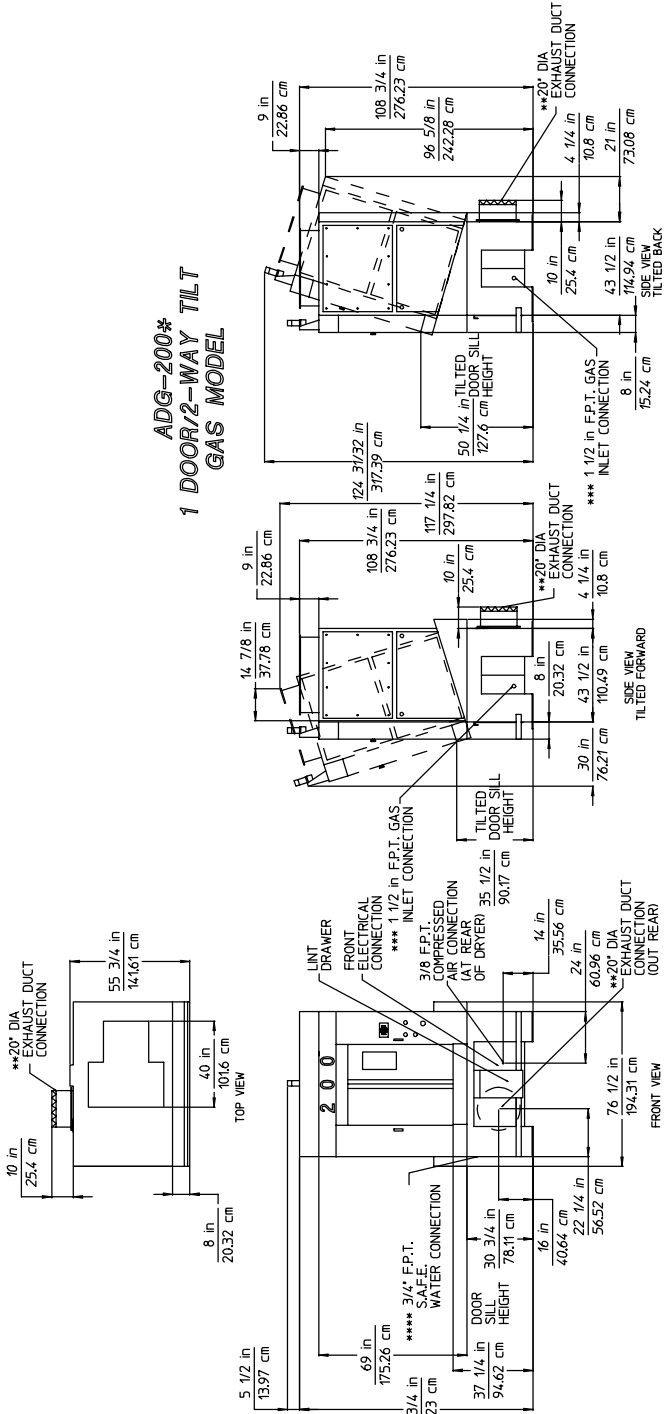
**ADS-200 TILTING\*  
2-DOOR/REAR TILT  
STEAM MODEL**



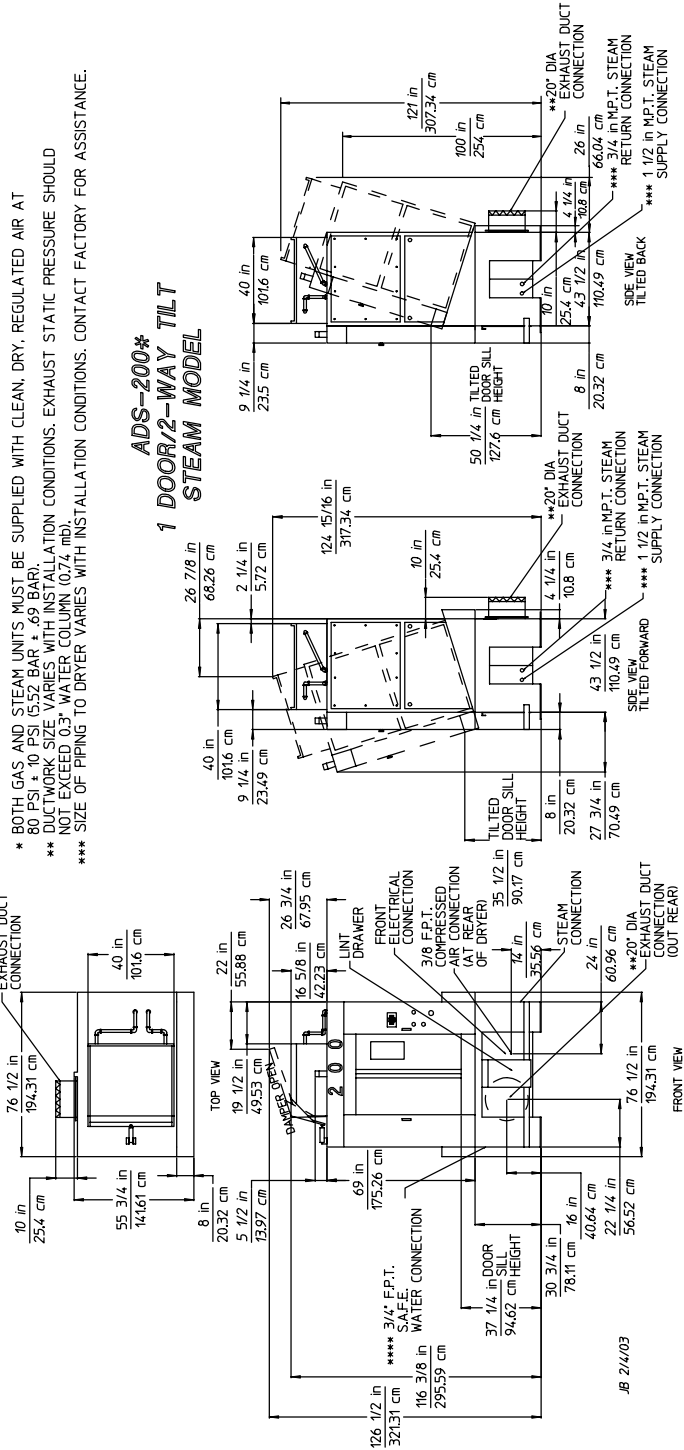
FRONT VIEW

SIDE VIEW  
TILTED BACK

**ADG-200\***  
**1 DOOR/2-WAY TILT**  
**GAS MODEL**



**ADS-200\***  
**1 DOOR/2-WAY TILT**  
**STEAM MODEL**



\* BOTH GAS AND STEAM UNITS MUST BE SUPPLIED WITH CLEAN, DRY, REGULATED AIR AT 80 PSI ± 10 PSI (5.32 BAR ± .69 BAR).  
 \*\* DUCTWORK SIZE VARIES WITH INSTALLATION CONDITIONS. EXHAUST STATIC PRESSURE SHOULD NOT EXCEED 0.5" WATER COLUMN (0.74 inHg).  
 \*\*\* SIZE OF PIPING TO DRYER VARIES WITH INSTALLATION CONDITIONS. CONTACT FACTORY FOR ASSISTANCE.